

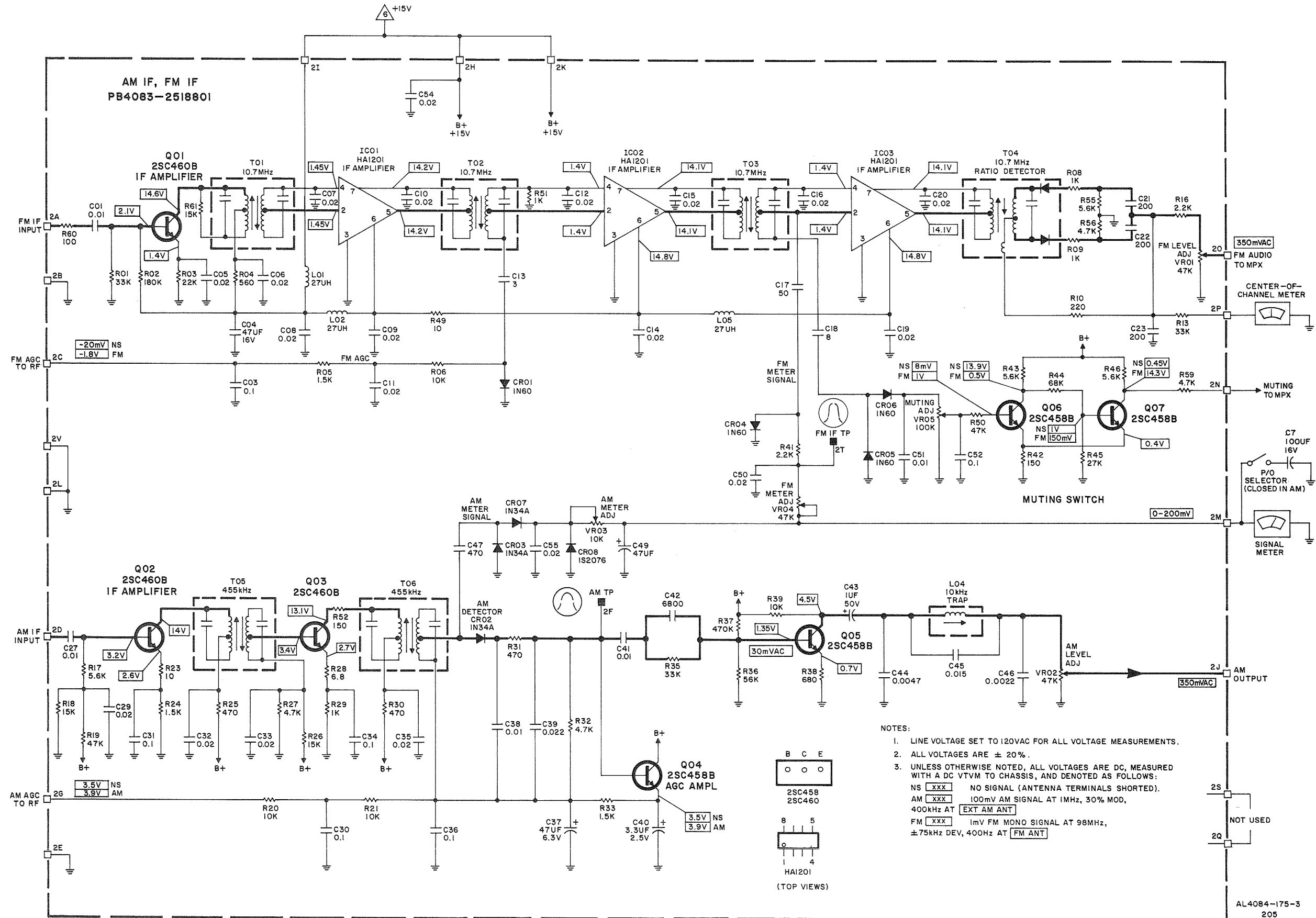
The enclosed schematics cover THE FISHER 205 and 215 Receivers,
and furnish servicing information until complete service manuals
are available.

1

2

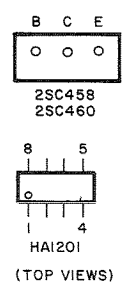
3

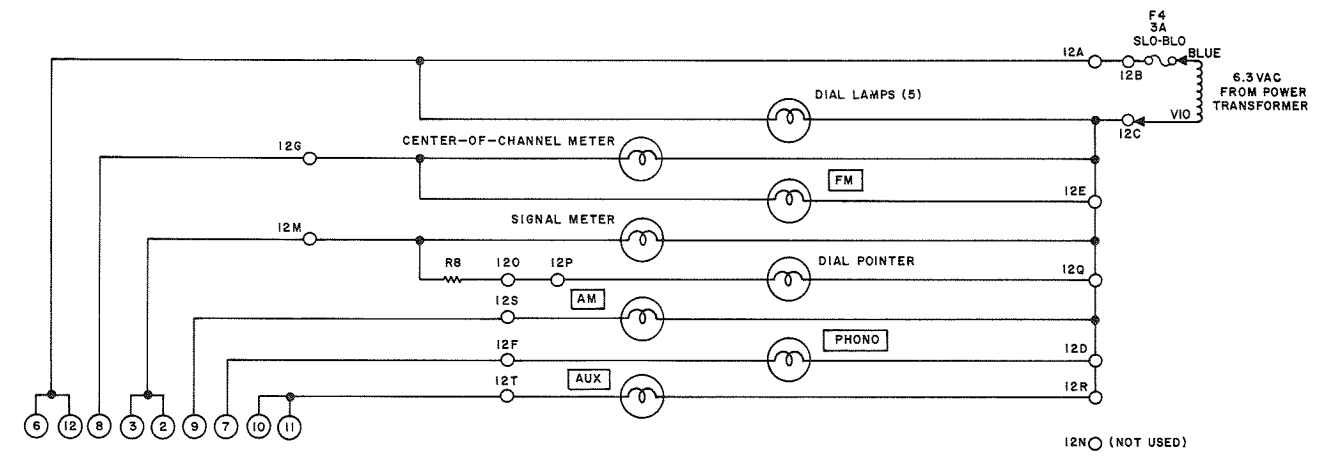
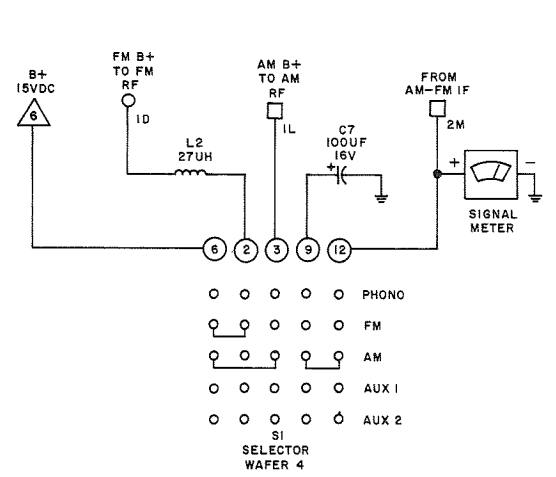
4



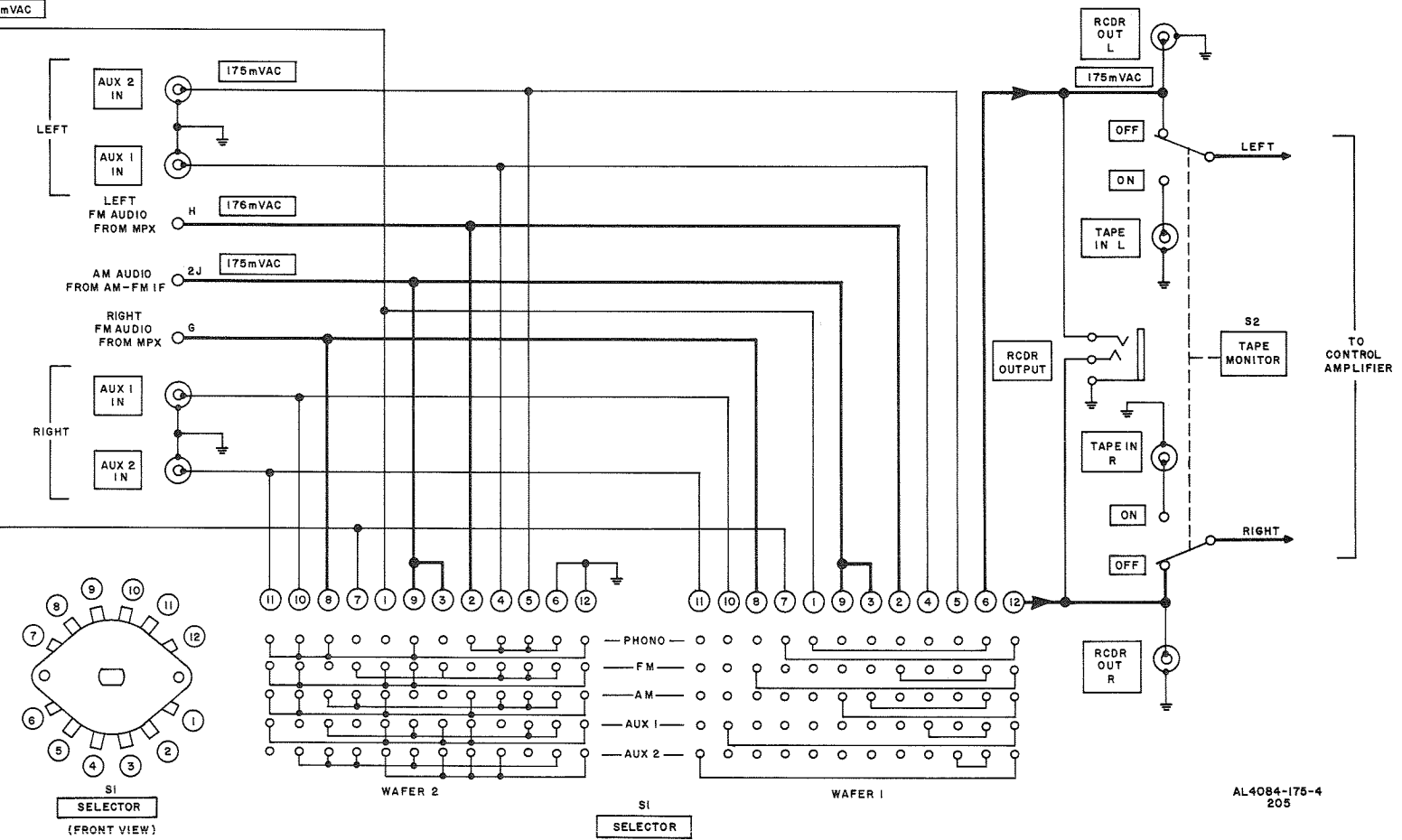
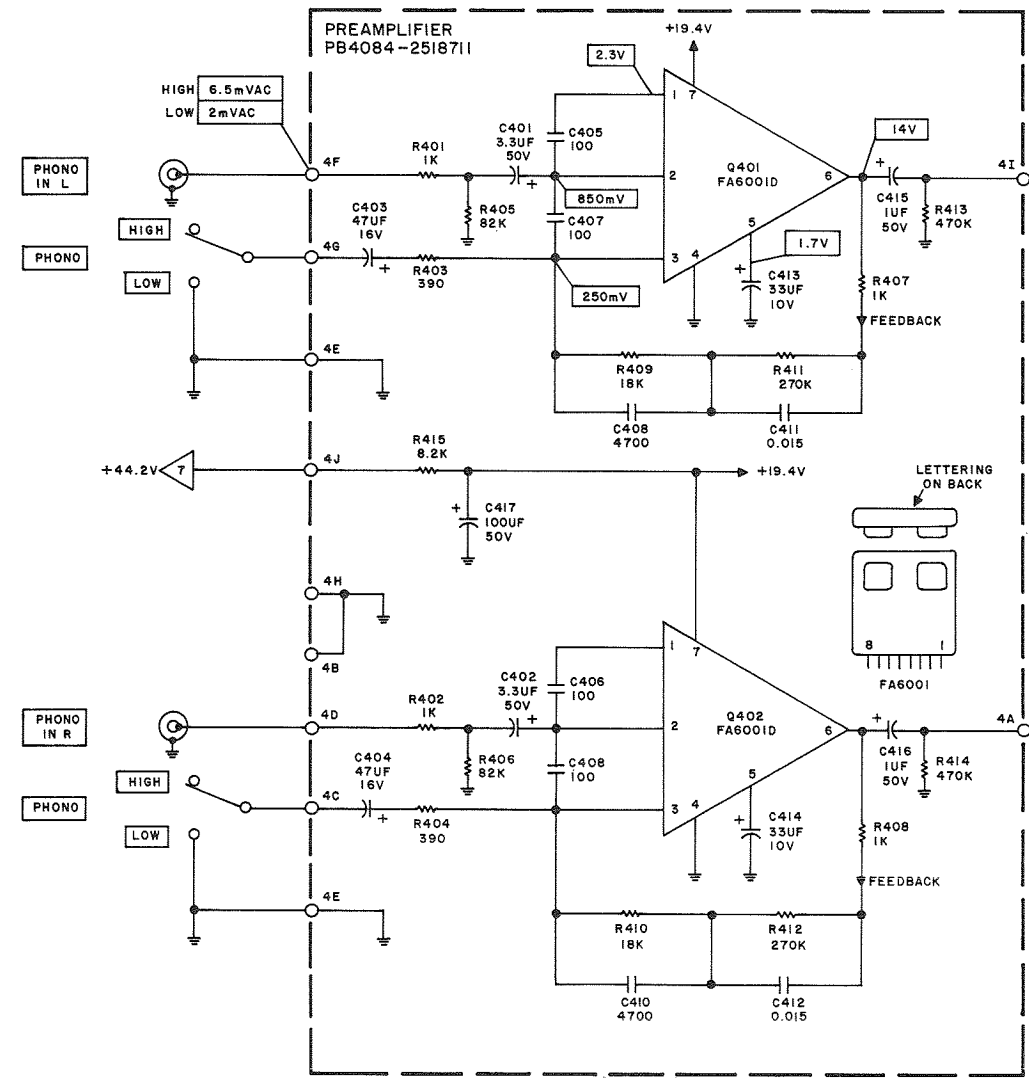
NOTES:

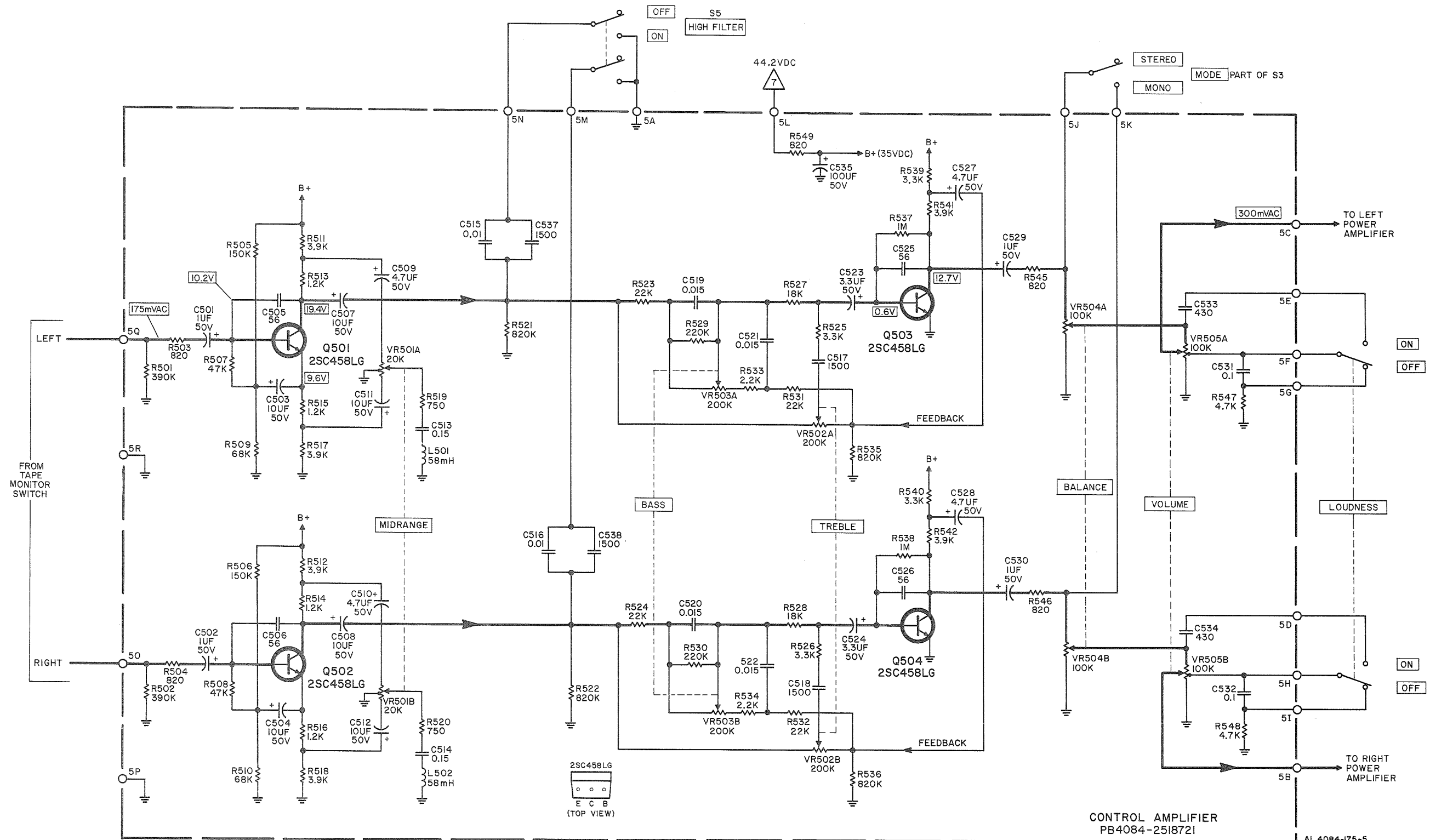
1. LINE VOLTAGE SET TO 120VAC FOR ALL VOLTAGE MEASUREMENTS.
2. ALL VOLTAGES ARE $\pm 20\%$.
3. UNLESS OTHERWISE NOTED, ALL VOLTAGES ARE DC, MEASURED WITH A DC VTVM TO CHASSIS, AND DENOTED AS FOLLOWS:
 NS [xxx] NO SIGNAL (ANTENNA TERMINALS SHORTED).
 AM [xxx] 100mV AM SIGNAL AT 1MHz, 30% MOD, 400kHz AT [EXT AM ANT]
 FM [xxx] 1mV FM MONO SIGNAL AT 98MHz, ± 75 kHz DEV, 400Hz AT [FM ANT]





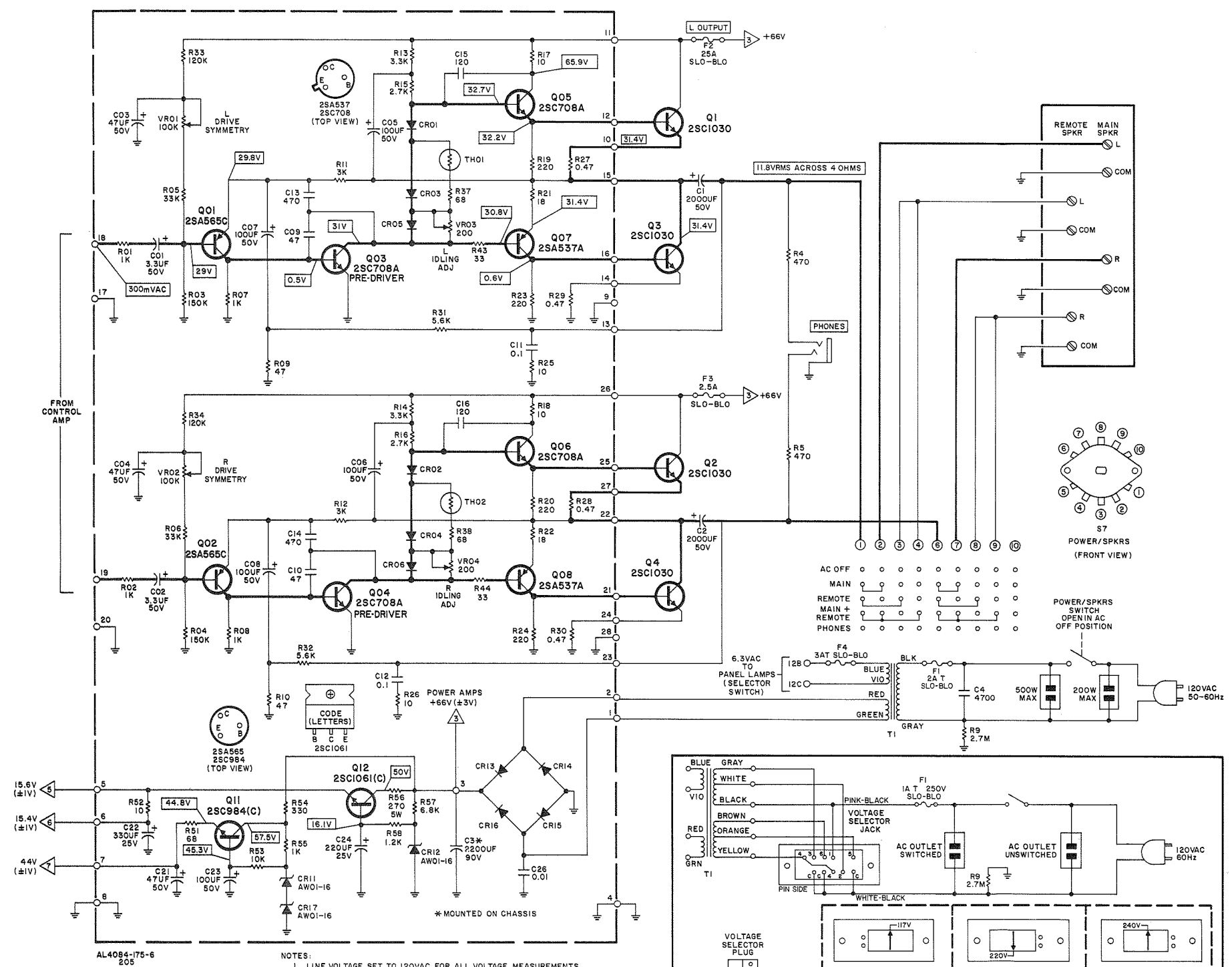
- NOTES:
1. LINE VOLTAGE SET TO 120VAC FOR ALL MEASUREMENTS.
 2. ALL VOLTAGES 20%
 3. XXX DENOTES DC VOLTAGES MEASURED WITH DC VTVM TO CHASSIS WITH NO INPUT SIGNAL.
 4. XXXVAC DENOTES 1kHz SIGNAL LEVELS MEASURED WITH AC VTVM TO CHASSIS.



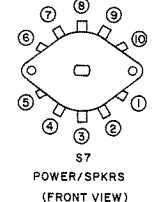
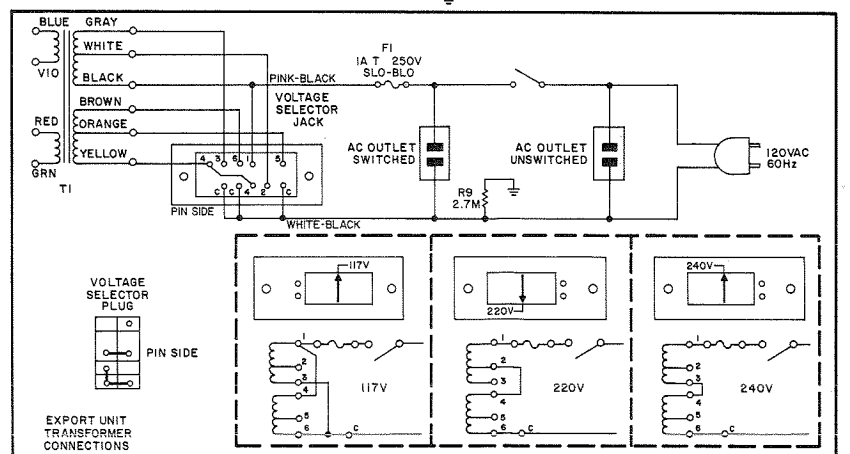


NOTES

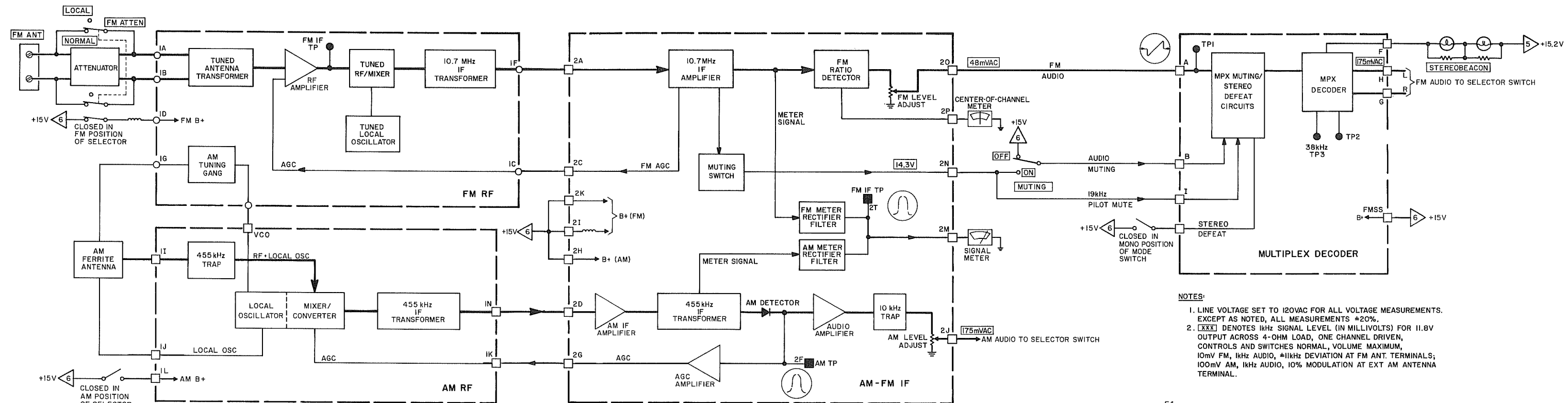
1. LINE VOLTAGE SET TO 120VAC FOR ALL MEASUREMENTS
2. ALL VOLTAGES 20%.
3. [XXX] DENOTES VOLTAGES MEASURED WITH DC VTVM TO CHASSIS WITH NO INPUT SIGNAL.
4. [XXXAC] DENOTES 1kHz SIGNAL LEVELS MEASURED WITH AC VTVM TO CHASSIS.



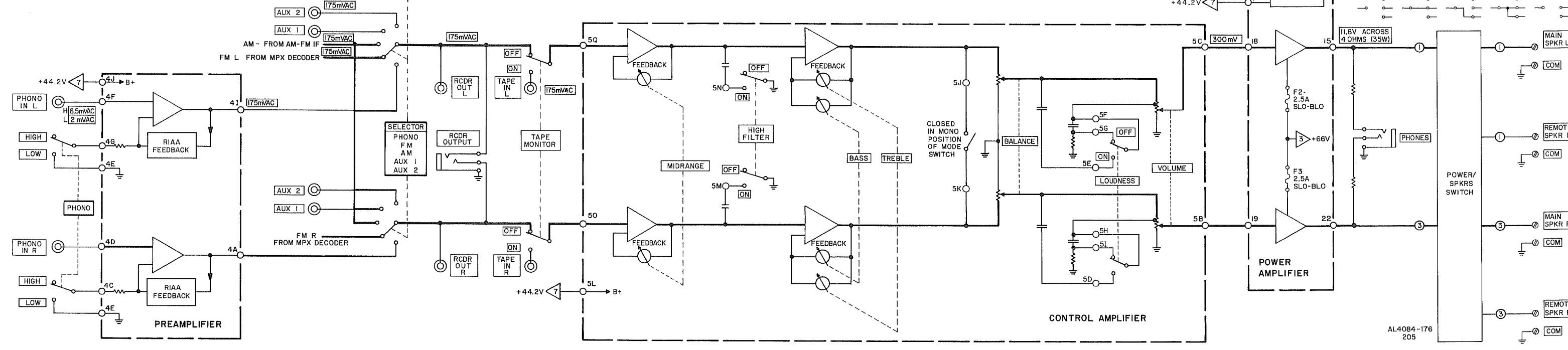
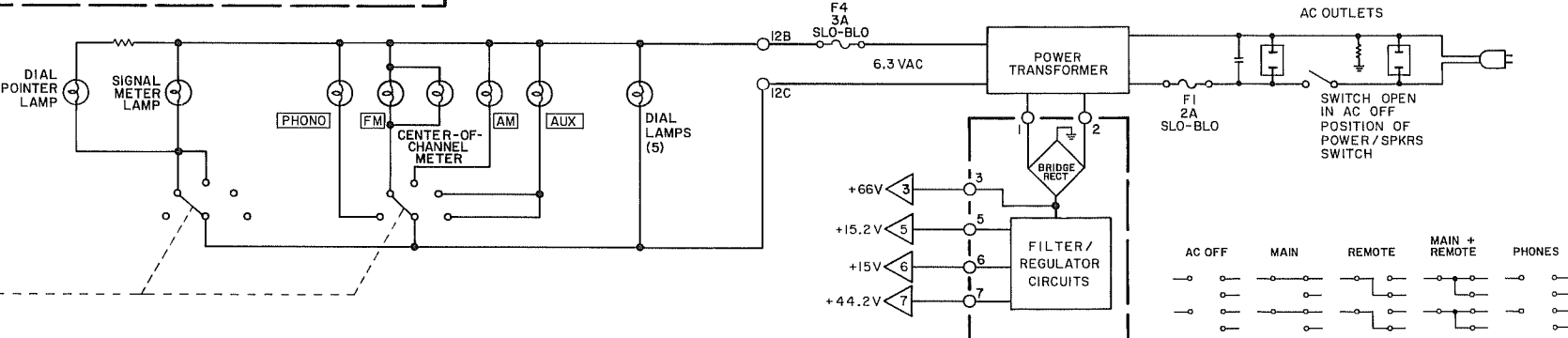
- NOTES:
1. LINE VOLTAGE SET TO 120VAC FOR ALL VOLTAGE MEASUREMENTS.
 2. ALL VOLTAGES $\pm 20\%$.
 3. [XXX] DENOTES DC VOLTAGES MEASURED WITH DC VTVM TO CHASSIS WITH NO INPUT SIGNAL.
 4. [XXXVAC] DENOTES 1kHz SIGNAL, IN MILLIVOLTS, MEASURED WITH AC VTVM, ONE CHANNEL DRIVEN.

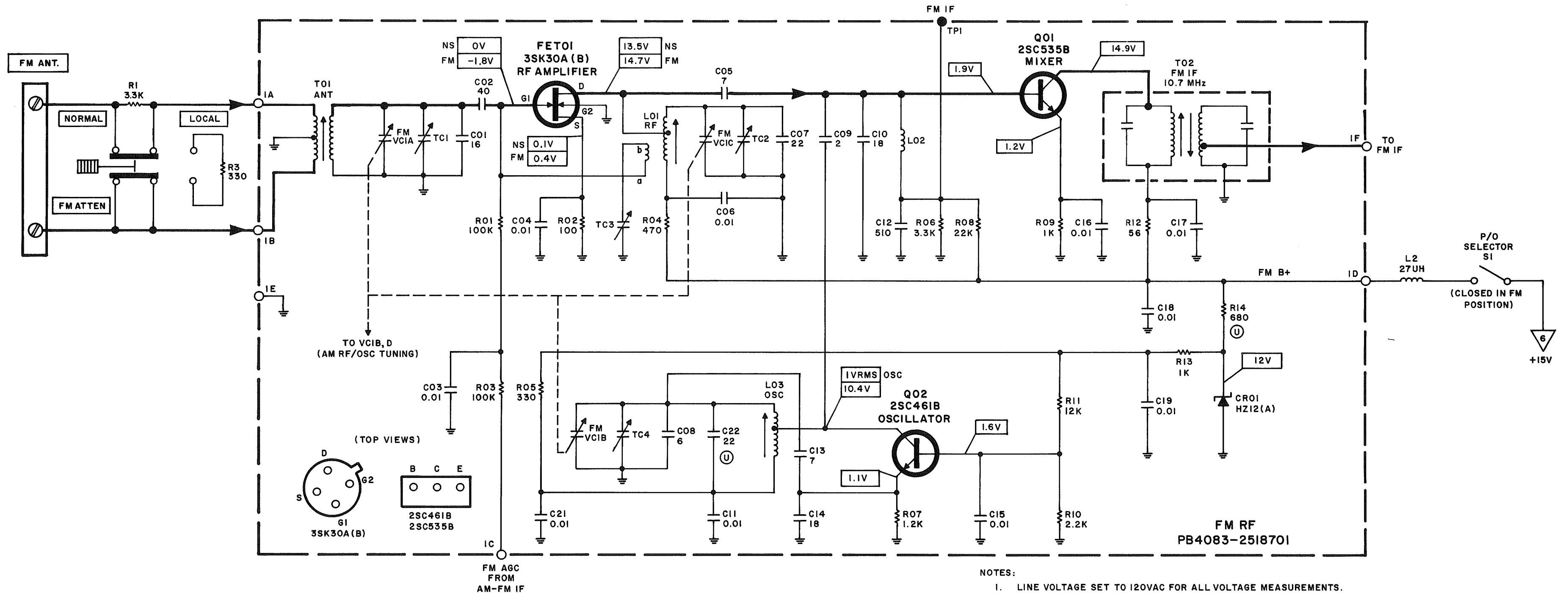


POWER/SPKRS SWITCH OPEN IN AC OFF POSITION



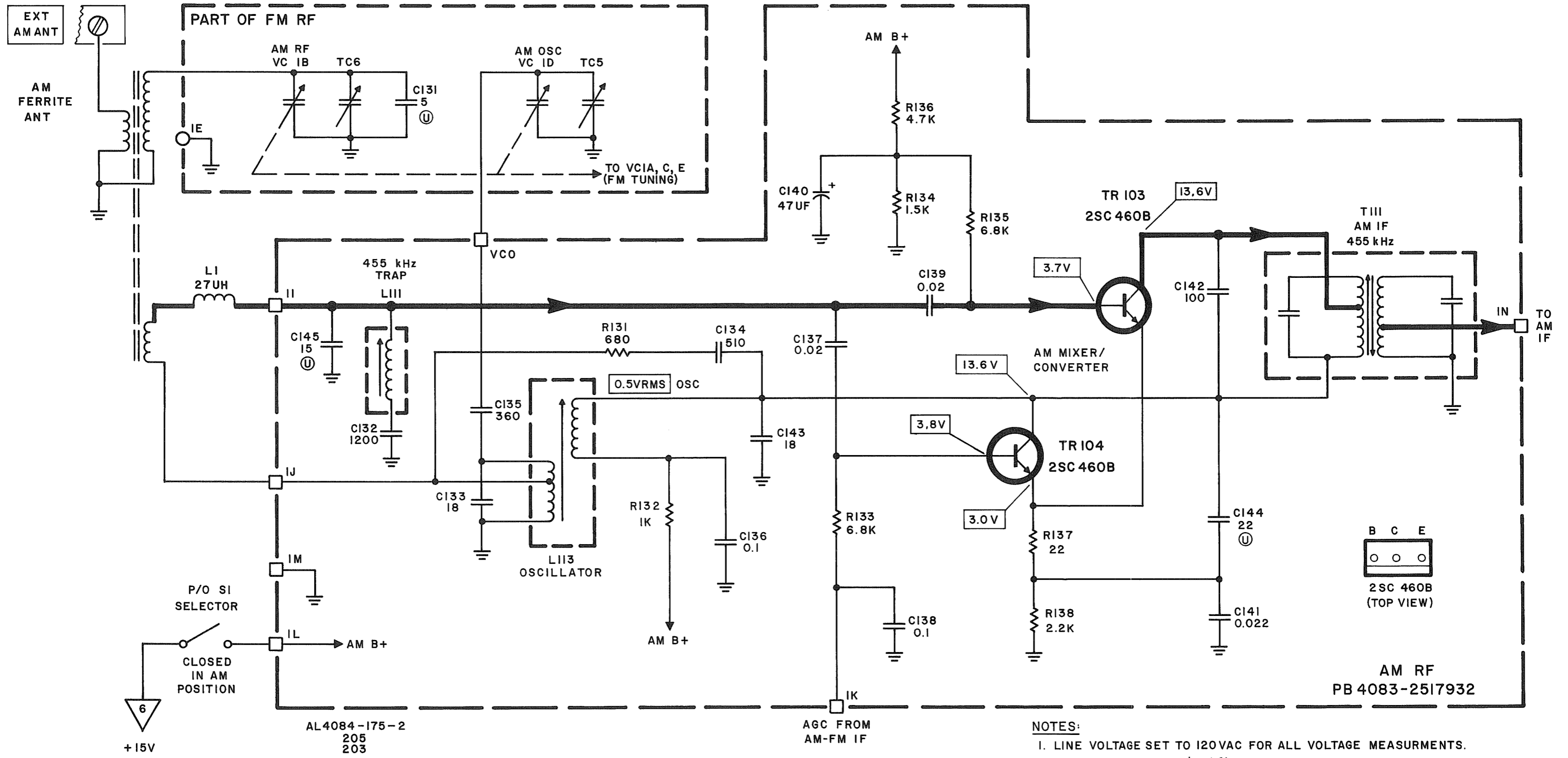
NOTES:
 1. LINE VOLTAGE SET TO 120VAC FOR ALL VOLTAGE MEASUREMENTS. EXCEPT AS NOTED, ALL MEASUREMENTS $\pm 20\%$.
 2. [XXX] DENOTES 1kHz SIGNAL LEVEL (IN MILLIVOLTS) FOR 11.8V OUTPUT ACROSS 4-OHM LOAD, ONE CHANNEL DRIVEN, CONTROLS AND SWITCHES NORMAL, VOLUME MAXIMUM, 10mV FM, 1kHz AUDIO, ± 1 kHz DEVIATION AT FM ANT. TERMINALS; 100mV AM, 1kHz AUDIO, 10% MODULATION AT EXT AM ANTENNA TERMINAL.



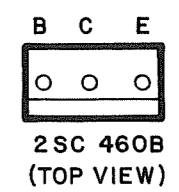


NOTES:

1. LINE VOLTAGE SET TO 120VAC FOR ALL VOLTAGE MEASUREMENTS.
2. ALL VOLTAGES ARE $\pm 20\%$.
3. ALL VOLTAGES ARE DC, MEASURED WITH A DC VTVM TO CHASSIS, AND DENOTED AS FOLLOWS:
 NS XXX NO SIGNAL (ANTENNA TERMINAL SHORTED).
 FM XXX 1mV FM MONO SIGNAL AT 98MHz, ± 75 kHz DEVIATION, 400Hz AT FM ANT.
4. U DENOTES PARTS MOUNTED ON UNDERSIDE OF BOARD.



- NOTES:
1. LINE VOLTAGE SET TO 120VAC FOR ALL VOLTAGE MEASUREMENTS.
 2. ALL VOLTAGES ARE ± 20%
 3. ALL VOLTAGES ARE DC, MEASURED WITH A DC VTVM TO CHASSIS, WITH NO SIGNAL INPUT.
 4. Ⓢ DENOTES PARTS MOUNTED ON UNDERSIDE OF BOARD.

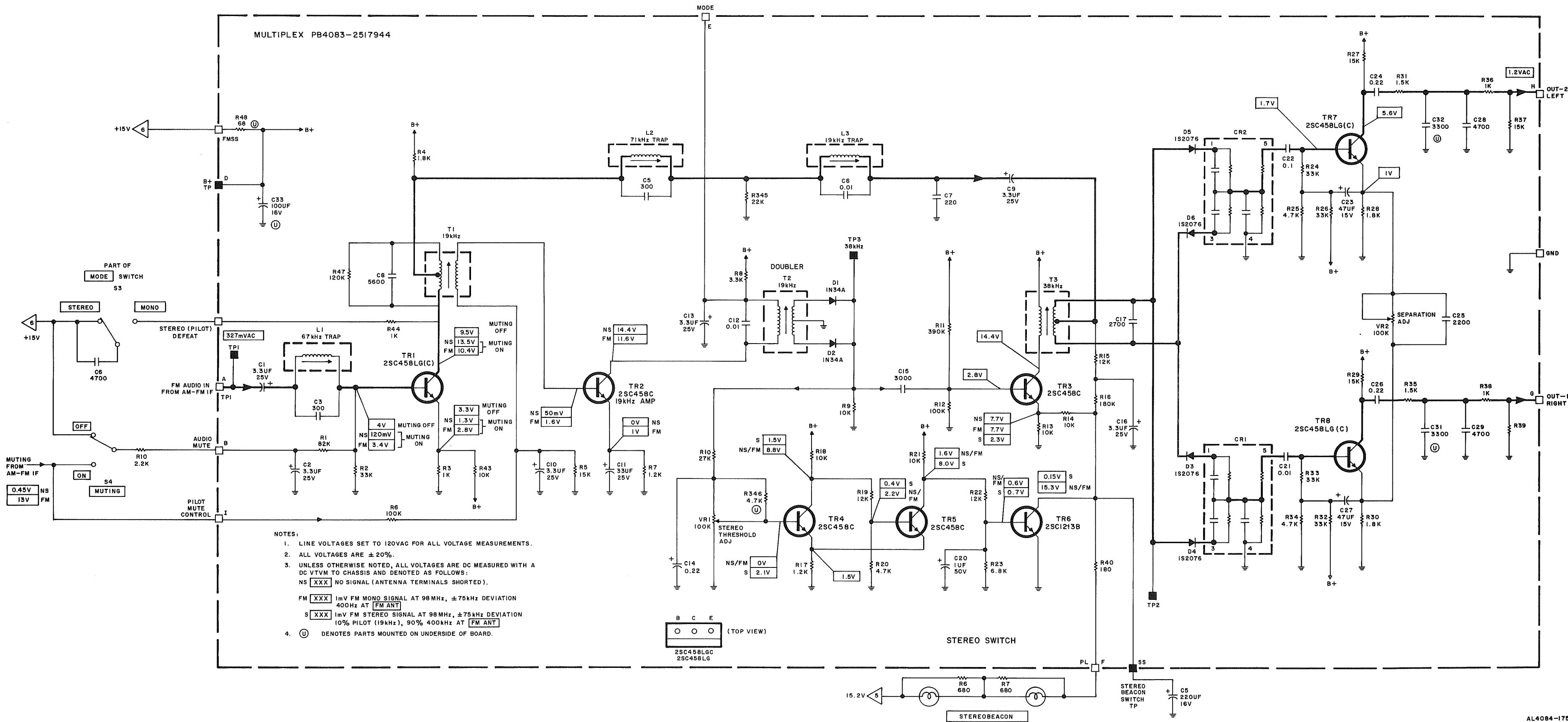


AL4084-175-2
205
203

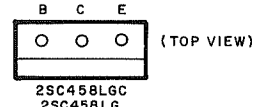
AGC FROM
AM-FM IF

AM RF
PB 4083-2517932

MULTIPLEX PB4083-2517944



- NOTES:
1. LINE VOLTAGES SET TO 120VAC FOR ALL VOLTAGE MEASUREMENTS.
 2. ALL VOLTAGES ARE $\pm 20\%$.
 3. UNLESS OTHERWISE NOTED, ALL VOLTAGES ARE DC MEASURED WITH A DC VTVM TO CHASSIS AND DENOTED AS FOLLOWS:
 NS [XXX] NO SIGNAL (ANTENNA TERMINALS SHORTED).
 FM [XXX] 1mV FM MONO SIGNAL AT 98MHz, ± 75 kHz DEVIATION 400Hz AT [FM ANT]
 S [XXX] 1mV FM STEREO SIGNAL AT 98MHz, ± 75 kHz DEVIATION 10% PILOT (19kHz), 90% 400kHz AT [FM ANT]
 4. (U) DENOTES PARTS MOUNTED ON UNDERSIDE OF BOARD.



STEREO SWITCH

